



C300



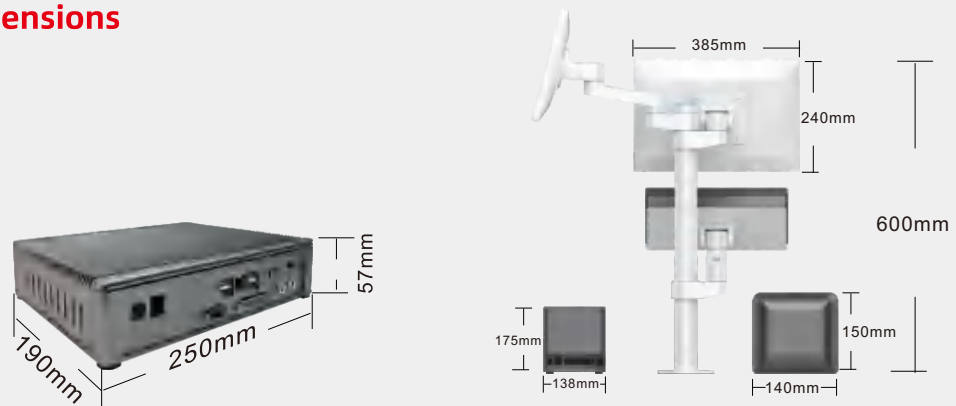
Jemmy Hasan
0811-9508-881

C300

- Touch screen is optional
- 2nd display facing directions adjustable
- CPU: Intel J6412, Skylake i3 / i5
- Pole mount solution to save countertop space
- Optional: Scanner, Keyboard, Printer, Brackets
- Designed for supermarket



Dimensions



C300 Data Sheet

| Model Number | | EB200 (PC-BOX) | | |
|-------------------|---|---|---|--|
| CPU | Intel Elkhart Lake Celeron J6412, 2.0GHz, (up to 2.60 GHz), Fanless | Intel Core i3-Skylake, (3MB Cache), Fanless, (Kaby Lake Optional) | Intel Core i5-Skylake, (4MB Cache), Fanless, (Kaby Lake Optional) | |
| System Memory | 1 x DDR4, SO-DIMM, 4GB (Max.32GB) | | 1 x DDR4, SO-DIMM, 4GB (Max.16GB) | |
| Storage | mSATA/M.2 SSD 128GB (64GB/256GB/512GB optional) | | mSATA SSD 128GB (64GB/256GB/512GB optional) | |
| External I/O Port | USB | 4 x USB 3.0 +4 x USB 2.0 | | |
| | Serial port | 3 x Serial port (RJ50); (COM1~3: 0/5/12V by pin-JP) + 1xDB9 | | |
| | VGA | 1 x VGA (Power enable by BIOS; +12V) | | |
| | HDMI | 1 x HDMI Connector (enable by BIOS, VGA Colay) | N/A | |
| | Cash Drawer Port | 1 x RJ11,12V & 24V | 1 x RJ11, 12V cash drawer | |
| | LAN | 1 x LAN (10/100/1000Mb) | | |
| | AUDIO | 1 x Mic-In/Speaker-out (Combo Jack) | | |
| | DC-IN | 1 x DC-IN (4PIN) | 1 x DC-IN | |
| | DC-Out | N/A | | |
| | Power Switch | 1 x Power Switch | | |
| Speaker | N/A | | | |
| WiFi&BT | N/A | | | |
| Power | External power adapter, 12V-5A/60W | | | |
| EMC Safety | CE, FCC, UKCA, ROHS | | | |
| Environment | Operating Temperature | 0°C ~ 35°C | | |
| | Storage Temperature | -15°C ~ 60°C | | |
| | Operating Humidity | 20% - 85% RH non condensing | | |
| | Storage Humidity | 20% - 85% RH non condensing | | |
| OS Support | Windows 11/10 LTSC, Ubuntu 20.0.4 | Windows 7/10, Ubuntu 18.0.4 | | |
| PC Box Size | 250 x 190 x 57mm | | | |
| Weight (N.W) | 1.2kg | | | |