

T5

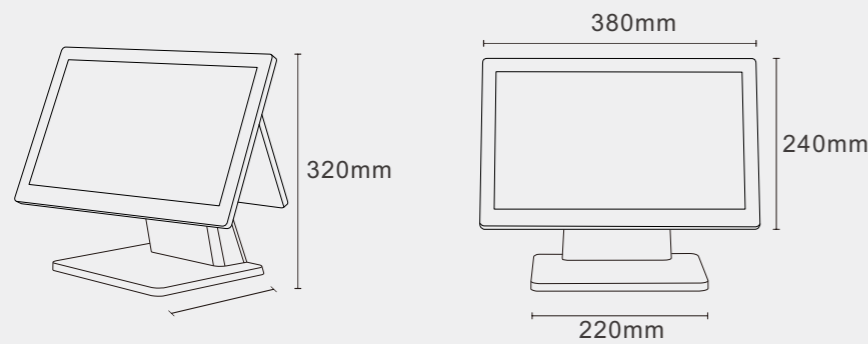
Fan-free POS Terminal

- Intel® CPU Elkhart Lake J6412, Tiger Lake Core™ I3, I5
- 15.6" widescreen LCD with PCT
- Fan-free design
- DDR4 memory
- Splash proof and dust resistant
- VESA mount
- Modular options: 2nd Display, MSR (Combo), NFC, VFD, Fingerprint reader
- VGA power setting via BIOS for second display
- Rich I/O ports
-



TITAN

Dimensions



Jemmy Hasan
0811-9508-881

JAKARTA
Sedayu Square Blok M 23-25, RT.1/RW.12, Cengkareng Barat,
Kecamatan Cengkareng, Kota Jakarta Barat, Daerah Khusus
Ibukota Jakarta 11730

T5 Data Sheet

Model Number	T5		
CPU Support	Intel Elkhart Lake Celeron J6412, 2.0GHz, (up to 2.60 GHz), Fanless	Intel Tiger Lake Core i3-1115G4, 3.0GHz, (up to 4.1GHz), Fanless	Intel Tiger Lake Core i5-1135G7, 2.4GHz, (up to 4.2GHz), Fanless
System Memory	1 x DDR4,SO-DIMM, 4GB (Max. 32GB)		
Storage	1 x mSATA / M.2 SATA SSD 128GB (64GB / 256GB / 512GB optional)		
LCD	Size	15.6" TFT LCD Panel	
	Brightness	220cd/m2 (Typ.)	
	Resolution	1366 x 768 (optional 1920 x 1080)	
Touch Screen	True-Flat Projected Capacitive Touch		
Tilt Angle	0 ~ 60 degree		
External I/O Port	USB	4 x USB 3.0 +2 x USB 2.0 (Powerd, default setting)	4 x USB 3.0 +2 x USB 2.0
	Serial port	3 x Serial port (RJ50); (COM1~3: 0/5/12V by pin-JP)	2 x Serial port (RJ50); (COM1~2: 0/5/12V by pin-JP)
	VGA	1 x VGA (Power enable by BIOS; +12V)	N/A
	HDMI	1 x HDMI Connector (enable by BIOS, VGA Colay)	1 x HDMI
	Cash Drawer Port	1 x RJ11, 24V default, 12V optional by pin jp	N/A
	LAN	1 x LAN (10/100/1000Mb)	
	Audio	1 x Mic-In/Speaker-out (Combo Jack)	
	DC-IN	1 x DC-IN(4PIN)	1 x DC-IN
	DC-Out	N/A	1 x DC12V (2nd Display Power)
	Power Switch	1 x Power Switch	
Speaker	2 x 2W speaker (Optional)		
Base LED	USB, White, 86x16mm (Optional)		
Power	External power adapter, 12V-5A/60W	External power adapter, 12V-7A/84W	
EMC Safety	CE, FCC, UKCA, ROHS		
Environment	Operating Temperature	0°C ~ 35°C	
	Storage Temperature	-15°C ~ 60°C	
	Operating Humidity	20% - 85% RH non condensing	
	Storage Humidity	20% - 85% RH non condensing	
OS Support	Windows 11/10 LTSC, Ubuntu 20.0.4		
Dimension (W x D x H)	380mm x 180mm x 320mm		
Weight (N.W.)	3.6Kg		
Wall Mount	VESA 100 x 100mm		
Optional	WIFI	mPCI-E WiFi/BT Module	
	Fingerprint Reader	U4500 (USB Fingerprint Reader Module)	
	RFID	RD04 Support ISO/IEC 14443A/MIFARE & 14443B, FeliCa, ISO/IEC 18092, ECMA 340 NFCIP-1 Peer-to-Peer	
	MSR	MSR + iButton (Combo) or MSR +RFID (Combo), USB, 1, 2, 3 Track, ISO7810, 7811-1/2/3/4/5, IBM, AAMVA, JIS-2 Standard	
	Scanner	DY3090 (USB,1D,2D,Reading precision: = 3mil, Dimension:21.4mm x 10.8mm x 15.2mm)	
	Customer display	VFD display, USB (VCOM), 2 x 20 characters	
2nd Display	VGA, 9.7" (1024 x 768) VGA, 11.6" (1366 x 768) VGA, 12.1" (1280 x 800)	HDMI, 11.6" (1366 x 768)	